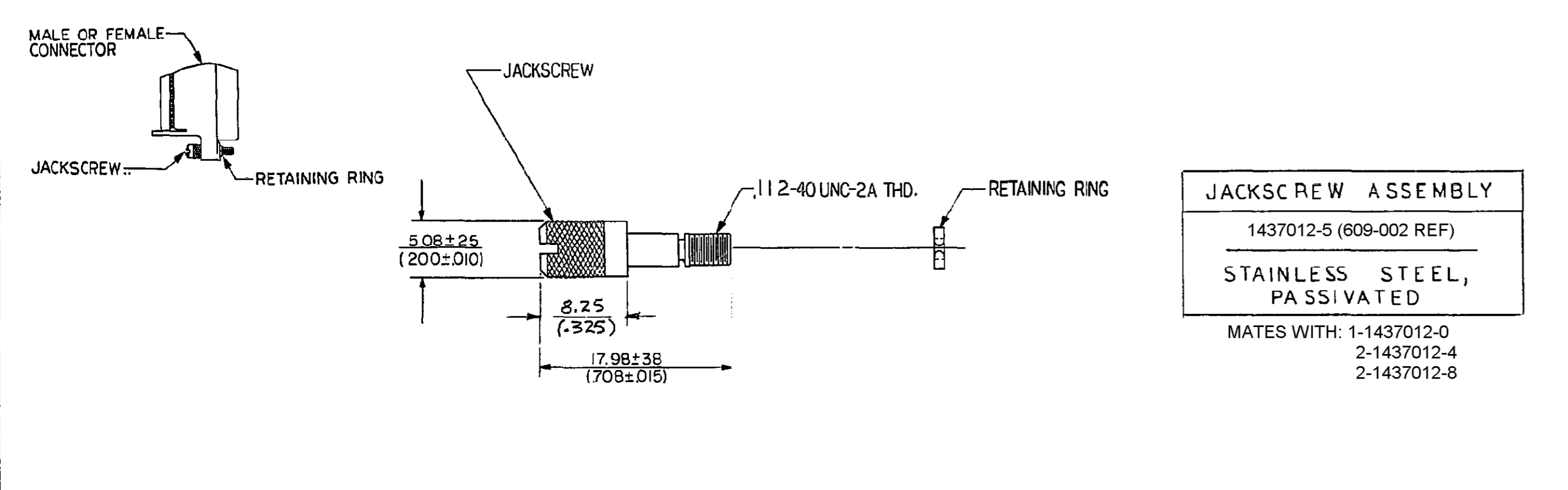
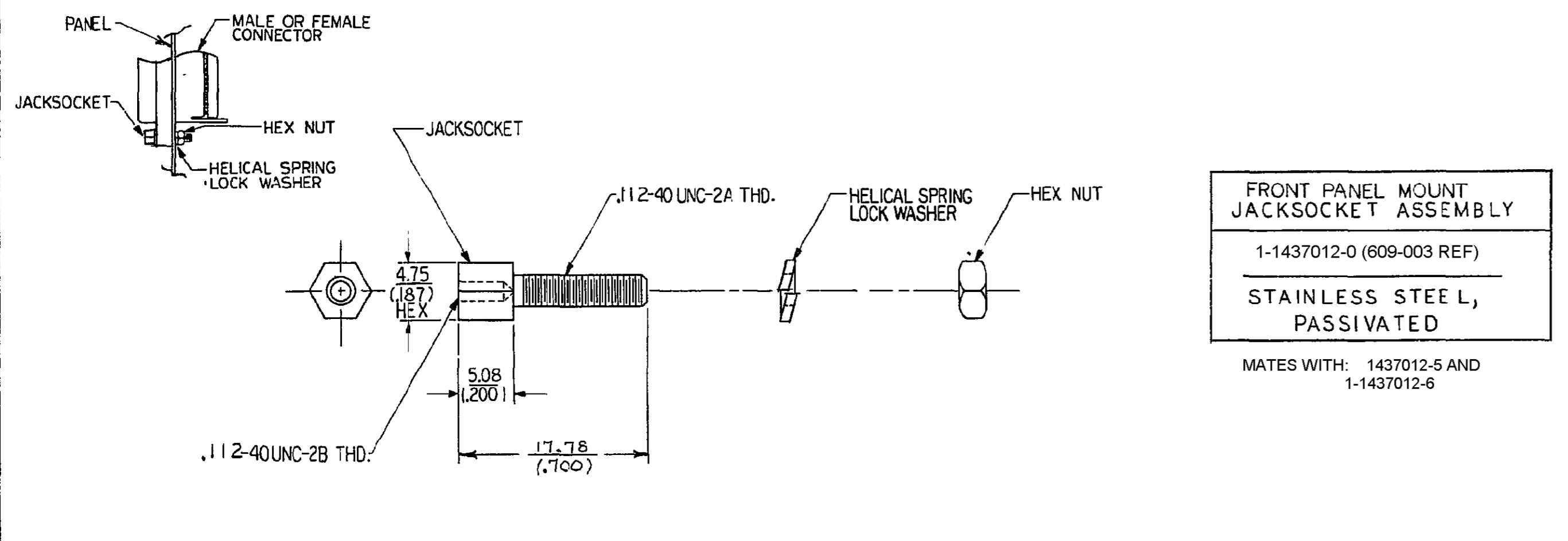


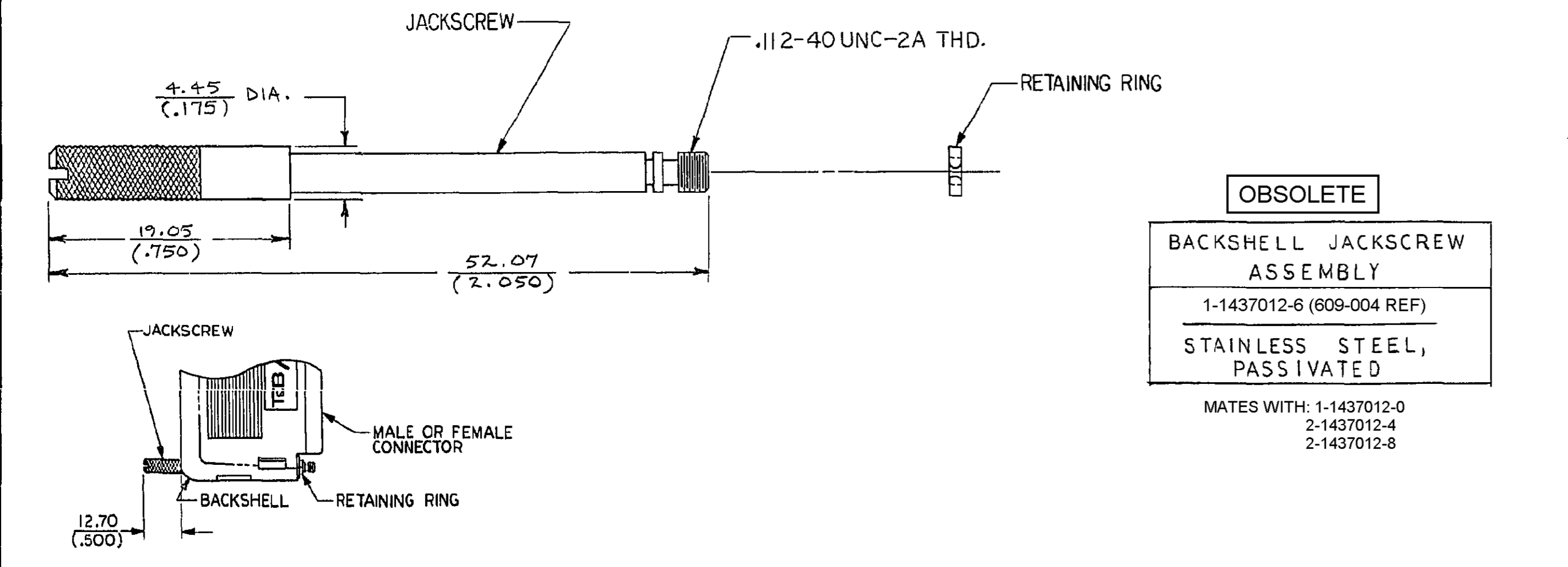
**SCREWLOCK ASSEMBLY**  
1437012-1, (609-001 REF)  
STAINLESS STEEL,  
PASSIVATED



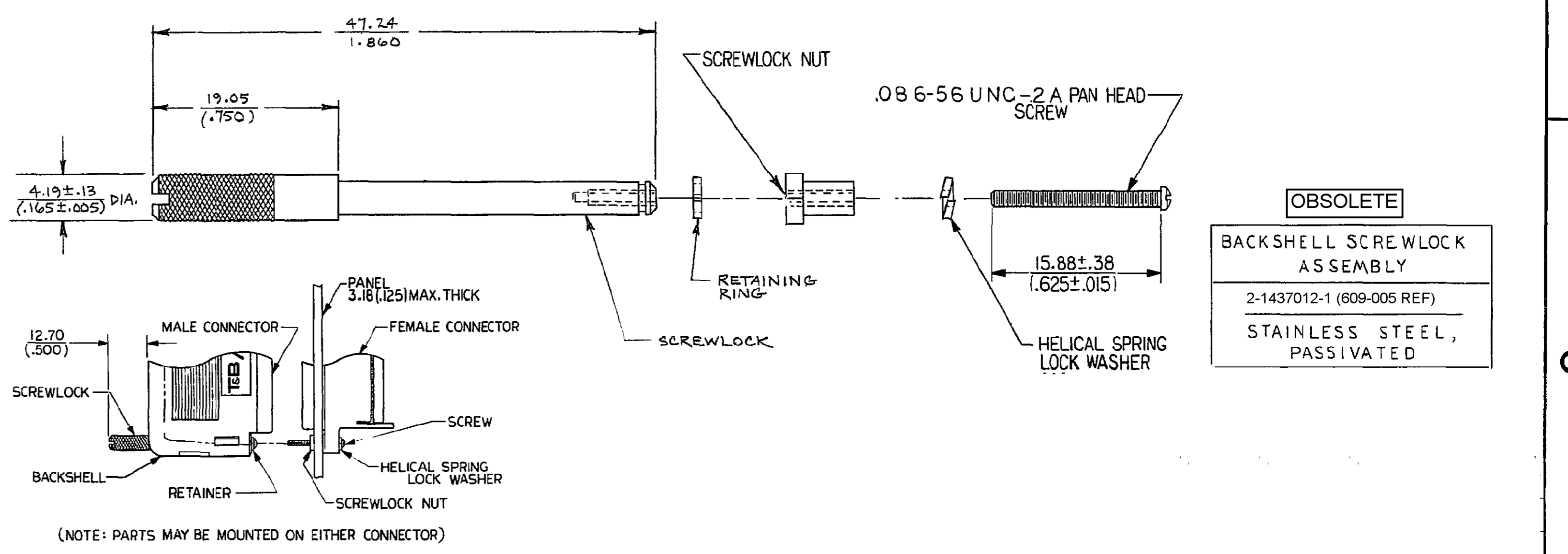
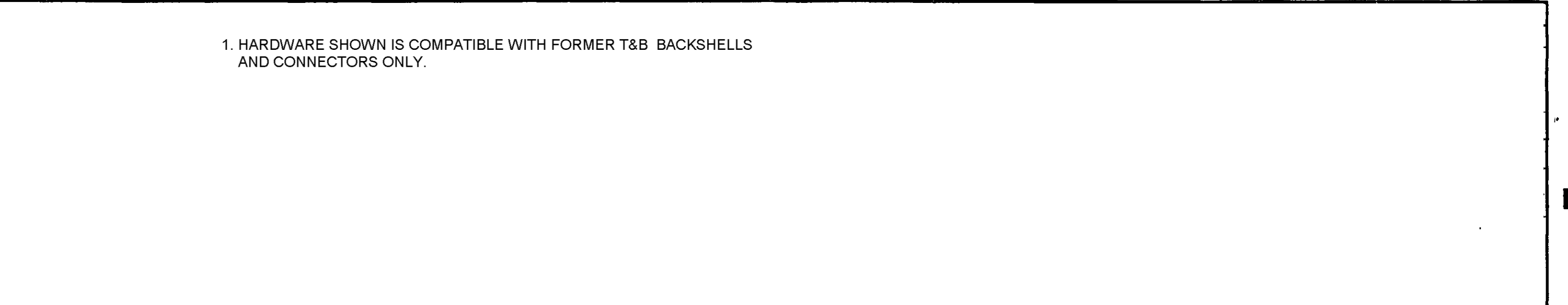
**JACKSCREW ASSEMBLY**  
1437012-5 (609-002 REF)  
STAINLESS STEEL,  
PASSIVATED  
MATES WITH: 1-1437012-0  
2-1437012-4  
2-1437012-8



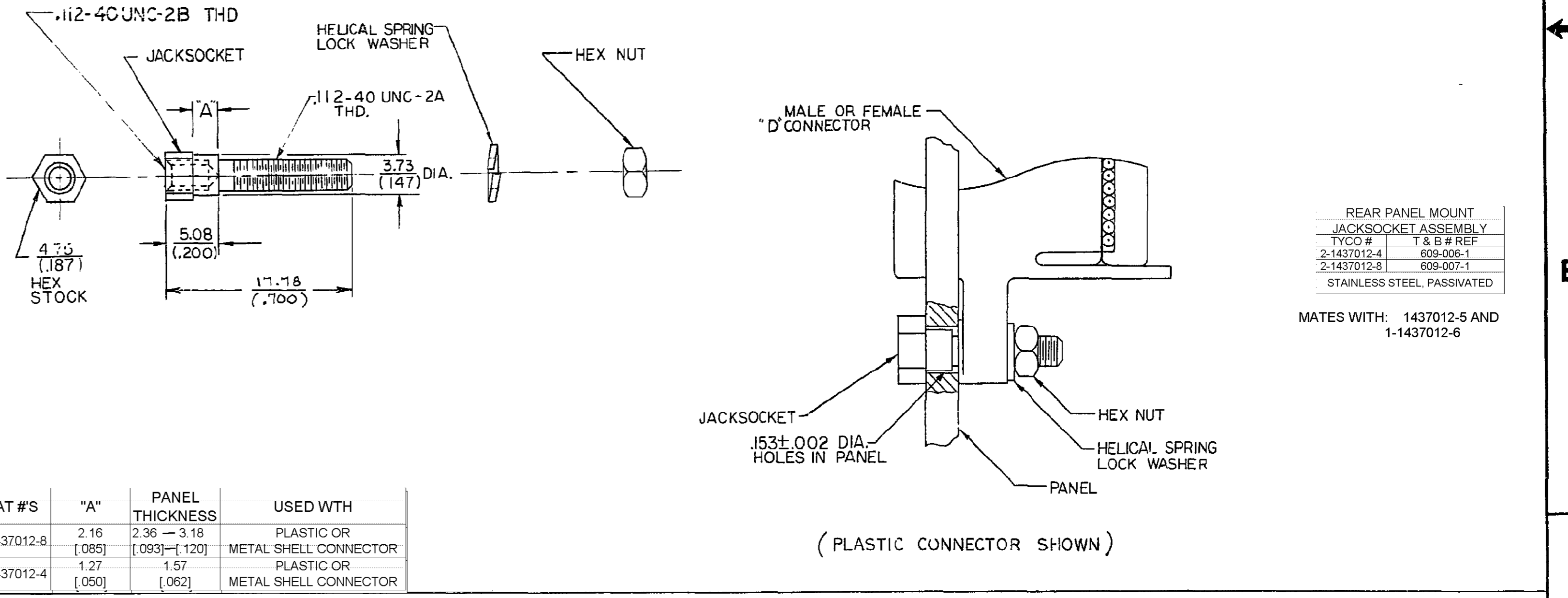
**FRONT PANEL MOUNT JACKSOCKET ASSEMBLY**  
1-1437012-0 (609-003 REF)  
STAINLESS STEEL,  
PASSIVATED  
MATES WITH: 1437012-5 AND  
1-1437012-6



**OBSELETE**  
**BACKSHELL JACKSCREW ASSEMBLY**  
1-1437012-6 (609-004 REF)  
STAINLESS STEEL,  
PASSIVATED  
MATES WITH: 1-1437012-0  
2-1437012-4  
2-1437012-8



**OBSELETE**  
**BACKSHELL SCREWLOCK ASSEMBLY**  
2-1437012-1 (609-005 REF)  
STAINLESS STEEL,  
PASSIVATED



**REAR PANEL MOUNT JACKSOCKET ASSEMBLY**  
TYCO # T & B # REF  
2-1437012-4 609-006-1  
2-1437012-8 609-007-1  
STAINLESS STEEL, PASSIVATED  
MATES WITH: 1437012-5 AND  
1-1437012-6

CAT #S	"A"	PANEL THICKNESS	USED WITH
2-1437012-8	2.16 [.085]	2.36 - 3.18 [.093] - [1.20]	PLASTIC OR METAL SHELL CONNECTOR
2-1437012-4	1.27 [.050]	1.57 [.062]	PLASTIC OR METAL SHELL CONNECTOR

THIRD ANGLE PROJECTION

UNLESS OTHERWISE SPECIFIED, DIMENSIONS ARE IN M.M.(INCHES)

FRACTIONS =  
ANGLES =  
DECIMALS XX (.XXX) ±  
X (.XX) ±

MATERIAL

APPLICATION

FIND NO.	QTY REQD	CODE IDENT	PART NO.	DESCRIPTION	ZONE
LIST OF MATERIALS					
				TITLE	
				D CONNECTOR MOUNTING ACCESSORY HARDWARE	
				SIZE CODE IDENT NO. NUMBER	
				D 15912 1437012-1	
				SCALE N T S	
				SHEET OF	

0 REVISION PER ECN 0513-0094-05 20-JUL-08 JDP CWR  
REV REVISION RECORD DATE DWN/APVD